

6400 Series

Tubeaxial

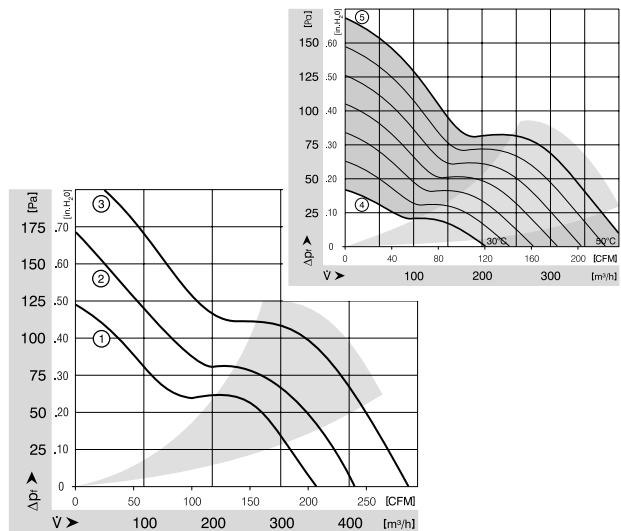
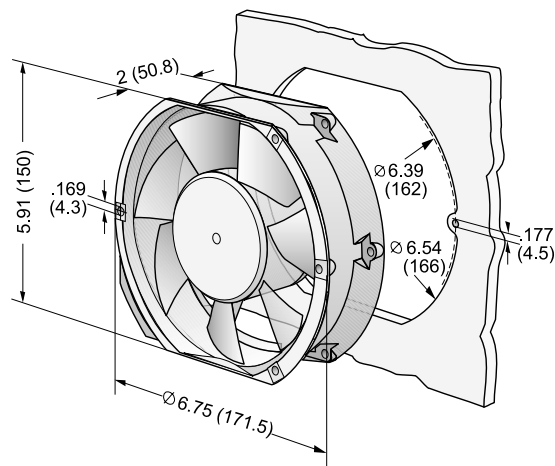
Ø 172x51mm



- DC fans with electronically commutated external rotor motor. Fully integrated commutation electronics. With electronic protection against reverse polarity and blocking; electronic motor current limitation in the start-up phase when rotor is blocked.
- Metal fan housing, impeller of fiberglass reinforced plastic PA.
- Air exhaust over struts. Rotational direction CCW looking at rotor.
- Electrical connection via 2 flat pins 3 x 0.5 mm. Housing with ground lug for screw M4 x 8 (TORX).
- UL, CSA, VDE approvals on some models, please contact application engineering.
- Mounting from either face using two 4.3 mm holes.

Part Number	Curve	CFM @ 0	VDC	Volt. Range	Power (W)	dBA	Max. Amb. Temp. C	Bearing Type	Features	Wgt. (lbs)
6412M	1	206.0	12	8 to 15	12	52	72	Ball	Terminals	1.68
6424M	1	206.0	24	12 to 32	12	52	72	Ball	Terminals	1.68
6424	2	241.3	24	12 to 28	18	57	72	Ball	Terminals	1.68
6424H	3	282.5	24	12 to 28	26	63	55	Ball	Terminals	1.68
6448M	1	206.0	48	28 to 60	11.5	52	72	Ball	Terminals	1.68
6448	2	241.3	48	26 to 60	17	57	72	Ball	Terminals	1.68
6448H	3	282.5	48	28 to 60	26	63	55	Ball	Terminals	1.68
30°C ▼ 50°C	6424T*	4 5	120.7 241.3	24	12 to 28 18.0	37 57	72	Ball	NTC Resistor	1.68
30°C ▼ 50°C	6448T*	4 5	120.7 241.3	48	28 to 60 17.0	37 57	72	Ball	NTC Resistor	1.68

* Variofan - DC fans with temperature-dependent speed control



e-mail: sales@us.ebmpapst.com · TEL: 860-674-1515 · FAX: 860-674-8536

ebm-papst Inc., 100 Hyde Road, Farmington, CT 06034 USA

ebm-papst Inc., 2006 © ebm-papst Inc. reserves the right to change any specifications or data without notice